

7537 Speed Fastener Tool

Hydropneumatic

Avdel's 7537 tool is a lightweight yet tough and durable hydraulic hand tool to fit the standard range of Avdel speed fasteners.

With no long umbilical and a rapid cycle time this lightweight tool is simple to use reducing your operators' fatigue. The 7537 has a variety of options including the ability to be suspended to ensure your requirements are matched.

Features

- Ergonomic design, lightweight tool
- Intensifier made integral to the hand tool
- Can be suspended (optional)
- Use hydraulic for placing fasteners (reduced shock loads)
- Utilizes standard 753 nose equipment
- Can place the same range of fasteners as 7530 tool
- Specially toughened plastic body and heavy duty rubber base
- Integrated cycle counter
- Reduced operator fatigue, increased productivity
- No need for long umbilical
- Reduced setting time
- Ease of maintenance
- Increased impact resistance and durability

Placing Capability

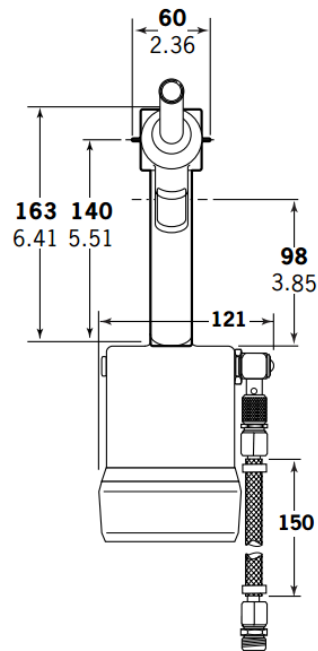
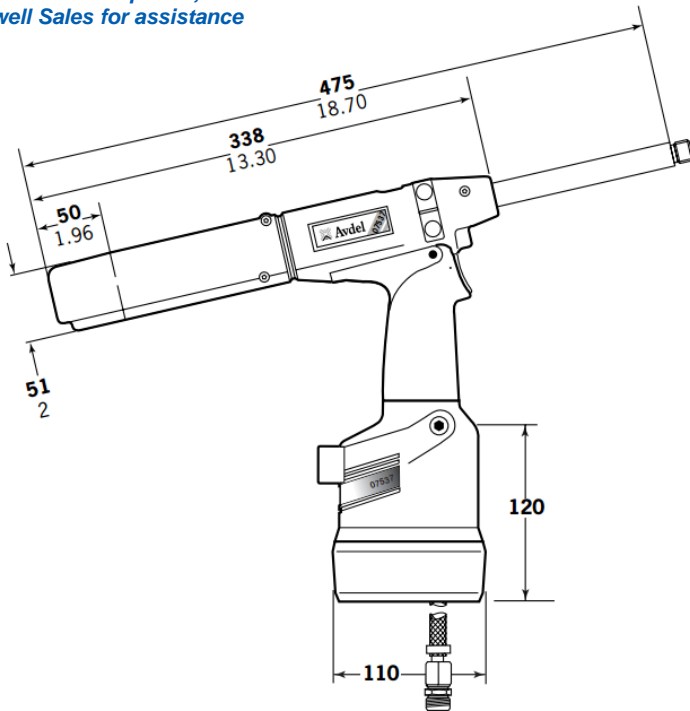
All speed fasteners from diameter 2.4 mm (3/32") to 6.4 mm (1/4").

For accessories options, contact
Gripwell Sales for assistance



Technical Data

Weight	: 2.2 kg
Pull Force	: 3,890 N at 5.5 bar
Stroke	: 28 mm (min.)
Cycle Time	: 1 sec (approx.)
Air Supply Pressure	: 5 - 7 bar
Free Air Volume	: 2.6 litres at 5.1 bar
Noise Level	: <70 dB
Vibration	: < 2.5 m/s ²
Intensifier Ratio	: 37 : 1



We are proud to be Avdel's authorized distributor of over 30 years